

Fireplace stove HEARTH

a | m e v a®
SWISS GAS FLUE SYSTEMS 

hearth 



Almeva US LLC/Solaron LLC

hearth

Fireplace stove



The ALMEVA Hearth fireplace stove is a combination of perfect design, a timeless element for the interior and offers high comfort, reliability and elegance. The new range includes 14 types of fireplaces, selected of which have concentric connections.



The concentric connection allows combustion air to be fed through the chimney body directly into the stove firebox. Thanks to this unique system, the stove is suitable for passive and low-energy houses with recuperation installed, or for renovations, as it is not necessary to interfere with the building structure and to build complicated ducts for the combustion air supply.

Advantages of concentric connections:

- Independent air supply through the chimney body
- Suitable for renovations, low-energy and passive buildings
- Installation without significant structural intervention
- Plug and Play solution: the stove is factory-prepared for concentric connection
- Complete solution from ALMEVA: appliance, chimney and installation with price guarantee



The stove is equipped with a number of practical and design features:

Airbox

A single lever can be used to control the primary and secondary combustion air. The entire system has been designed and tested over a long period of time to meet all operating conditions.

Automatic door closing

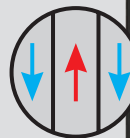
Even if you forget to close the stove door, it closes automatically, preventing a possible fire from flying sparks.

Connection to the chimney

You can choose between several chimney connection options - the stove is factory-prepared for top or rear connection.

Air inlet

Three options for independent air supply - concentric, bottom, rear.



Modular chimney system **ALMEVA Quadra TW25**





Scintilla glass

Product code: IBFPSGC6

Universal wood-burning stove suitable for any interior with the possibility of placing it in the centre of the room. Their use is ideal for low-energy houses due to their characteristics. Wood briquettes and lump wood are suitable as fuel.

The Scintilla stove is elegant and compact, with a circular floor plan and a distinctive glass front. Its design and practicality are highlighted by the interesting features of the sliding drawer door with integrated black glass, a hidden integrated handle or a self-closing door system.

The stove is equipped with a unique **Airbox** control system. Both primary and secondary air can be controlled with a single lever.



Concentric Connection

How big a space does it heat?

This Stove can heat approximately up to 7,000 cubic feet - this is for a standard insulated bungalow (the most common type of new house) and with a thermal comfort of 70 °F and an average output of 24,000 BTU.



Benefits:

- The stove can be used in low-energy houses
- White reinforced concrete lining in the combustion chamber
- Elegantly integrated door handle
- Special non-smoking paint on the stove surface
- Possibility of connection to central air supply
- Single lever control of primary and secondary air
- All-lithium grate
- Self-closing door system
- Double-locking door closure for better sealing
- Drawer door with integrated black glass
- 5 years warranty

Parameters:

| | |
|---------------------------------|---------------------|
| Weight | 286 Pound |
| Height | 3'9" |
| Width | 1'6" |
| Depth | 1'6" |
| Range ¹⁾ | 13,600 - 23,900 BTU |
| Rated Outup ²⁾ | 20,800 BTU |
| Efficiency | 81,7 % |
| Required chimney draft | -0.05 in WC |
| Flue outlet diameter | 6 in |
| Air inlet | 4 in |
| Max. log length | 15 in |
| Upper/rear outlet | .Yes/Yes |



13,600 - 23,900 BTU



20,800 BTU



15 in



3.5 Pound/H



81,7 %



- 0.05 in WC

¹⁾ 13,600–23,900 BTU ~ 2–3.5 Pound of dry wood with 20% moisture per hour of operation

²⁾ 20,800 BTU ~ 3.2 Pound of dry wood with 20% moisture per hour of operation



Scintilla steel

Product code: IBFPSSC6

Universal stoves are suitable for placing in the centre of the room, if the interior and its layout allows it. Their use is ideal for low-energy houses due to its characteristics. Wood briquettes and lump wood are suitable as fuel.

They are highly compact and elegant with a circular floor plan. Above-excellent design with a concealed integrated handle, but also with practical drawer doors and a self-closing door system.

The stove is equipped with a unique **Airbox** control system. Both primary and secondary air can be controlled with a single lever.



Concentric Connection

How big a space does it heat?

This stove heats approximately 7,000 cubic feet - valid for a standard insulated bungalow (the most common type of new house) and with a thermal comfort of 70 °F and an average output of 24,000 BTU.



Benefits:

- The stove can be used in low-energy houses
- White reinforced concrete lining in the combustion chamber
- Elegantly integrated door handle
- Special non-smoking paint on the stove surface
- Possibility of connection to central air supply
- Single lever control of primary and secondary air
- All-lithium grate
- Self-closing door system
- Double-locking door closure for better sealing
- 5 year warranty

Parameters:

Weight 286 Pound
 Height 3'9"
 Width 1'6"
 Depth 1'6"
 Range ¹⁾ 13,600 - 23,900 BTU
 Rated Output ²⁾ 20,800 BTU
 Efficiency 81,7 %
 Required chimney draft -0.05 in WC
 Flue outlet diameter 6 in
 Air inlet 4 in
 Max. log length 15 in
 Upper/rear outlet Yes/Yes



13,600 - 23,900 BTU



20,800 BTU



15 in



3.3 Poun/H



81,7 %



-0.05 in WC

¹⁾ 13,600–23,900 BTU ~ 2–3.5 Pound of dry wood with 20% moisture per hour of operation

²⁾ 20,800 BTU ~ 3.2 Pound of dry wood with 20% moisture per hour of operation



Focco

Product code: IBFPFSC6

Universal wood-burning stove suitable for any interior with the possibility of placing it in the centre of the room. Their use is ideal for low-energy houses due to their characteristics. Wood briquettes and lump wood are suitable as fuel.

The Focco stove has a unique elliptical shape. Its firebox can hold logs up to 350 mm long. The stove is one of the design products. Therefore, apart from their shape, you will be impressed by the elegant hidden integrated handle. The easy operation of the stove is aided by the self-closing door with double-locking closure, which guarantees a better seal and a better combustion process during burning.

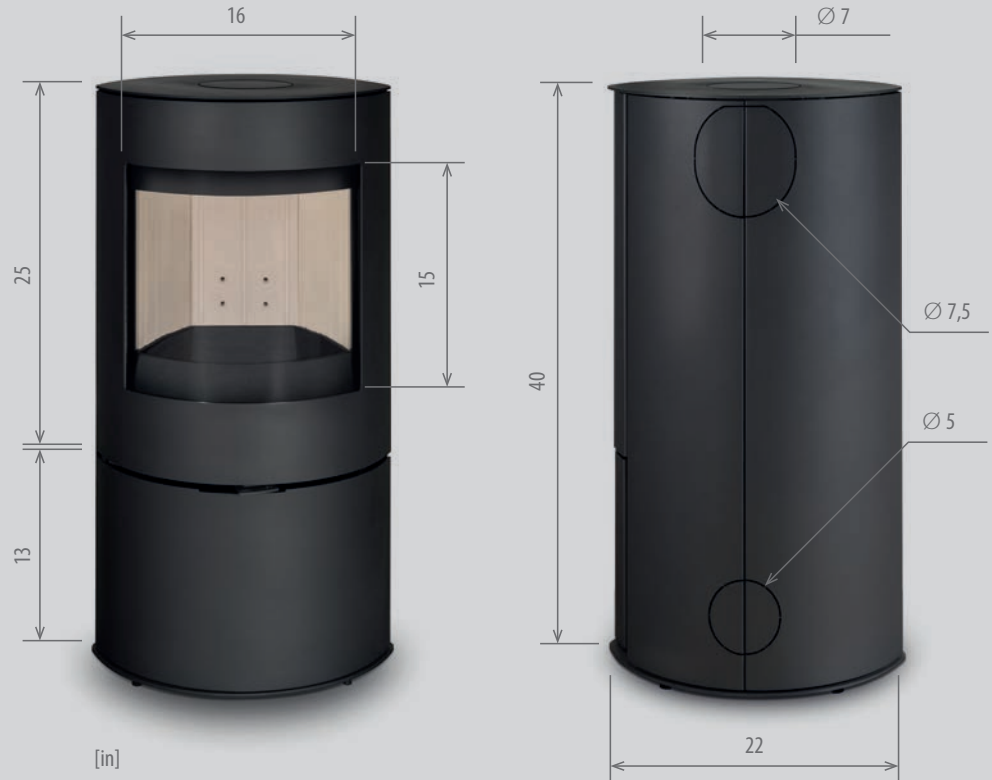
The stove is equipped with a unique **Airbox** control system. Both primary and secondary air can be controlled with a single lever.



Concentric Connection

How big a space does it heat?

This stove heats approx. 6,500 cubic feet - valid for a normally insulated bungalow (the most common type of new house) with a thermal comfort of 70 °F and an average output of 22,000 BTU.



Benefits:

- The stove can be used in low-energy houses
- White reinforced concrete lining in the combustion chamber
- Elegant integrated handle, hidden behind the door
- Special smokeless paint on the stove surface
- Possibility of connection to central air supply
- Single lever control of primary and secondary air
- All-lithium grate
- Self-closing door system
- Two-lock closure for better sealing
- 5 year warranty

Parameters:

| | |
|----------------------------------|-------------------|
| Weight | 260 Pound |
| Height | 40 in |
| Width | 25 in |
| Depth | 16 in |
| Range ¹⁾ | 13,600–22,200 BTU |
| Rated Output ²⁾ | 19,100 BTU |
| Efficiency | 80,7 % |
| Required chimney draft | -0.05 in WC |
| Flue gas outlet diameter | 6 in |
| Air inlet | 4 in |
| Max. log length | 13 in |
| Upper/rear outlet | Yes/Yes |



13,600–22,200 BTU



19,100 BTU



13 in



3 Pound/H



80,7 %



-0.05 in WC

¹⁾ 13,600–22,200 BTU ~ 2–3.6 Pound of dry wood with 20% moisture per hour of operation

²⁾ 19,100 BTU ~ 3 Pound of dry wood with 20% moisture per hour of operation



Cubus steady

Product code: IBFPCS35 (3 sides glazed)
IBFPCS15 (front glazed)

Universal fireplace stove ideal for any interior with the possibility of placing in the middle of the room. Thanks to its dimensions, it is suitable for smaller rooms. The fuel is suitable for firewood up to 11 inches in length and can be heated with wood briquettes.

As the name suggests, the Cubus stove is cube-shaped and has a well-crafted design. The stove also includes a bottom section, which is used to store logs or accessories for the stove. The entire surface of the stove is treated with a special smokeless paint. In addition to the conventional stove, the TW25 concentric flue system from Almeva can be connected to the stove.

The stove is equipped with a unique **Airbox** control system. Both primary and secondary air can be controlled with a single lever.



IBFPCS15



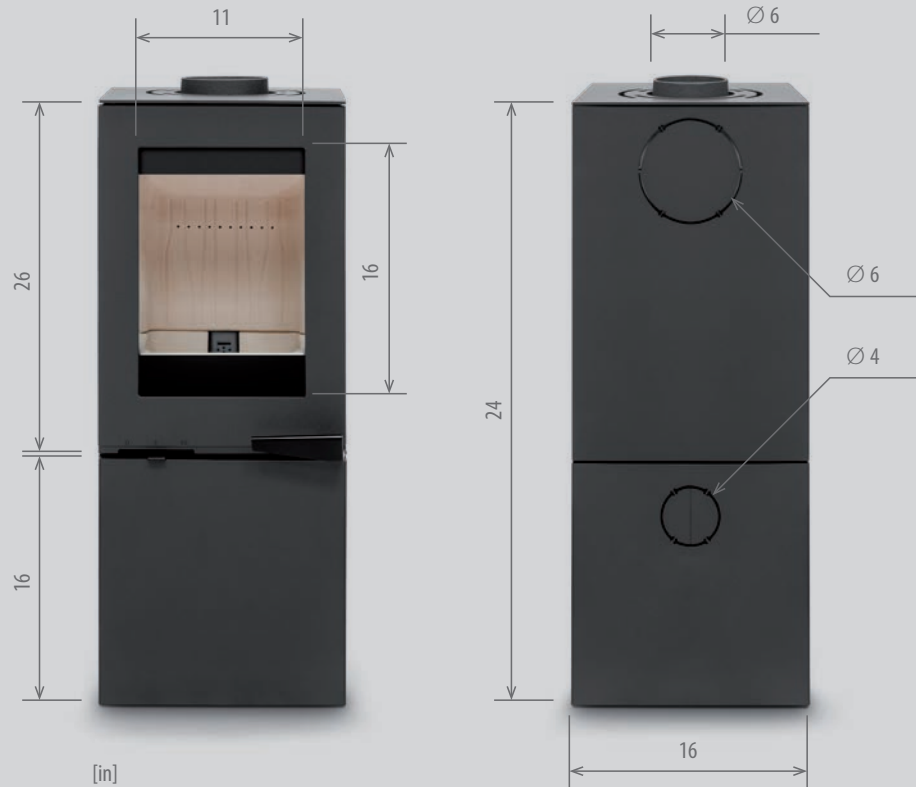
IBFPCS35



Concentric Connection

How big a space does it heat?

This stove heats approximately 6,000 cubic foot - valid for a standard insulated bungalow (the most common type of new house) and with a thermal comfort of 70 °F and an average output of 20,500 BTU.









Benefits:

- As the lowest power model in the Hearth range, it is ideal for low-energy or passive houses
- Can be connected to a concentric chimney solution
- White reinforced concrete lining in the combustion chamber
- Special smokeless paint applied to the stove surface
- Possibility of connection to central air supply
- Single lever control of primary and secondary air
- Self-closing door system
- Two-lock closure for better sealing
- Stand for storing firewood or accessories

Parameters:

| | |
|----------------------------------|-------------------|
| Weight | 254 Pound |
| Height | 42 in |
| Width | 17 in |
| Depth..... | 15 in |
| Range ¹⁾ | 12,000–20,500 BTU |
| Rated Output ²⁾ | 19,100 BTU |
| Efficiency..... | 80,4 % |
| Required chimney draft..... | -0.05% in WC |
| Flue gas outlet diameter | 6 in |
| Air inlet | 4 in |
| Max. log length..... | 11 in |
| Upper/rear outlet..... | Yes/Yes |

| | |
|---|---|
|  |  |
| 12,000–20,500 BTU | 19,100 BTU |
|  |  |
| 11 in | 3 Pound/H |
|  |  |
| 80,4 % | -0.05 in WC |

¹⁾ 12,000–20,500 BTU ~ 1.8–3.3 Pound of dry wood with 20% moisture per hour of operation

²⁾ 19,100 BTU ~ 3 Pound of dry wood with 20% moisture per hour of operation



IBFPCF35



Cubus float

Product code: IBFPCF35 (3 sides glazed)
IBFPCF15 (front glazed)

Unpretentious design stove with lower power, ideal for for low-energy homes. The Cubus float stove impresses with its subtlety and attractive prismatic design. They can be installed with a wood storage base or on their own. The stove can be connected to a concentric chimney solution. The ease of use of the stove is aided by the self-closing door with double-locking closure, guaranteeing better sealing and a more perfect combustion process during burning.



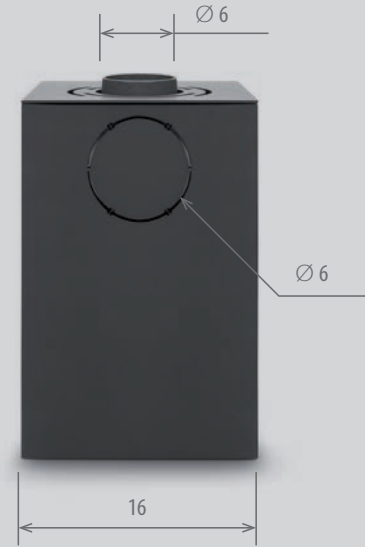
IBFPCF15



Concentric Connection

How big a space does it heat?

This stove heats about 5,650 cubic feet - valid for a normally insulated bungalow (the most common type of new house) and with a thermal comfort of 70 °F and an average output of 20,500 BTU.



Benefits:

- Maximum log length 11 in
- As the lowest power model in the Hearth range, it is ideal for low-energy or passive houses
- Can be connected to a concentric chimney solution
- White reinforced concrete lining in the combustion chamber
- Special smokeless paint applied to the stove surface
- Possibility to connect to a central air supply
- Single lever control of primary and secondary air
- Self-closing door system
- Two-lock closure for better sealing
- Stand for storing firewood or accessories

Parameters:

Weight 220 pound
 Height 26 in
 Width 17 in
 Depth 15 in
 Range ¹⁾ 12 000–20 500 BTU
 Rated Output ²⁾ 19,100 BTU
 Efficiency 80,4 %
 Required chimney draft -0.05 in WC
 Flue gas outlet diameter 6 in
 Air inlet 4 in
 Max. log length 11 in
 Upper/rear outlet Yes/Yes



12,000–20,500 BTU



19,100 BTU



11 in



3 Pound/H



80,4 %



-0.05 in WC

¹⁾ 12,000–20,500 BTU ~ 1.8–3.3 Pound of dry wood with 20% moisture per hour of operation

²⁾ 19,100 BTU ~ 2.9 Pound of dry wood with 20% moisture per hour of operation



Ardere steel

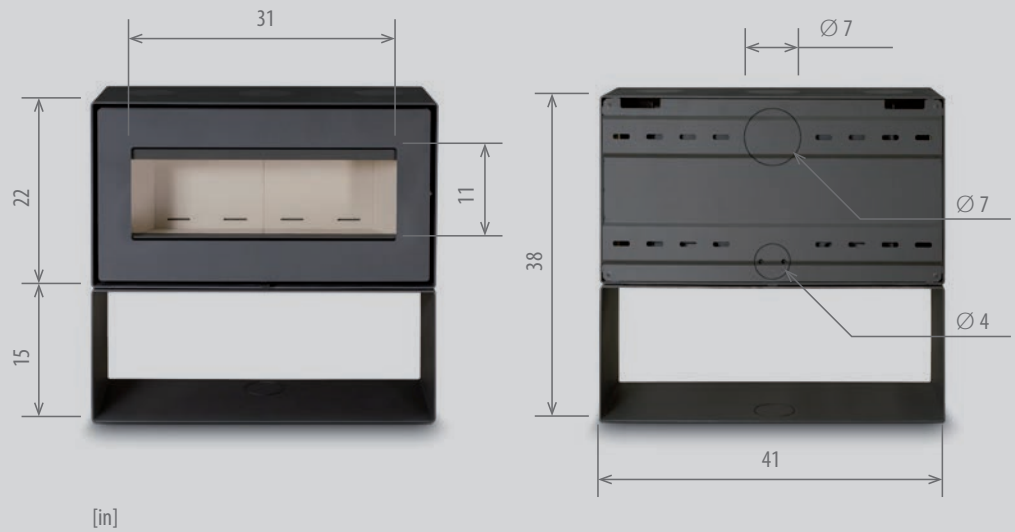
Product code: IBFPTS11

Do you prefer the classic block design of a wood-burning stove? Then choose this timeless stove suitable for any interior.

Thanks to the wide-angle glazing, you can enjoy the fire even more. The firebox can easily accommodate logs up to 31 in in length. The door closes by itself using a double-lock system for ideal tightness and the door handle is removable. An extra base for storing wood or accessories is included.

The stove is equipped with a unique **Airbox** control system. Both primary and secondary air can be controlled with a single lever.





[in]

Benefits:

- Maximum log length 31 in
- White reinforced concrete lining in the combustion chamber
- Removable door handle
- Special smokeless paint applied to the stove surface
- Possibility of connection to central air supply
- Single lever control of primary and secondary air
- Self-closing door system
- Double-locking door closure for better sealing
- 5 year warranty

Parameters:

| | |
|----------------------------------|-------------------|
| Weight | 684 Pound |
| Height | 38 in |
| Width | 41 in |
| Depth | 17 in |
| Range ¹⁾ | 13,600–30,700 BTU |
| Rated Output ²⁾ | 26,600 BTU |
| Efficiency | 71,9 % |
| Required chimney draft | -0.05 in WC |
| Flue gas outlet diameter | 6 in |
| Air inlet | 4 in |
| Max. log length | 31 in |
| Upper/rear outlet | Yes/Yes |



13,600–30,700 BTU



26,600 BTU



31 in



4.2 Pound/H



71,9 %



-0.05 in WC

¹⁾ 13,600–30,700 BTU ~ 2–5 Pound of dry wood with 20% moisture per hour of operation

²⁾ 26,600 BTU ~ 4.2 Pound of dry wood with 20% moisture per hour of operation

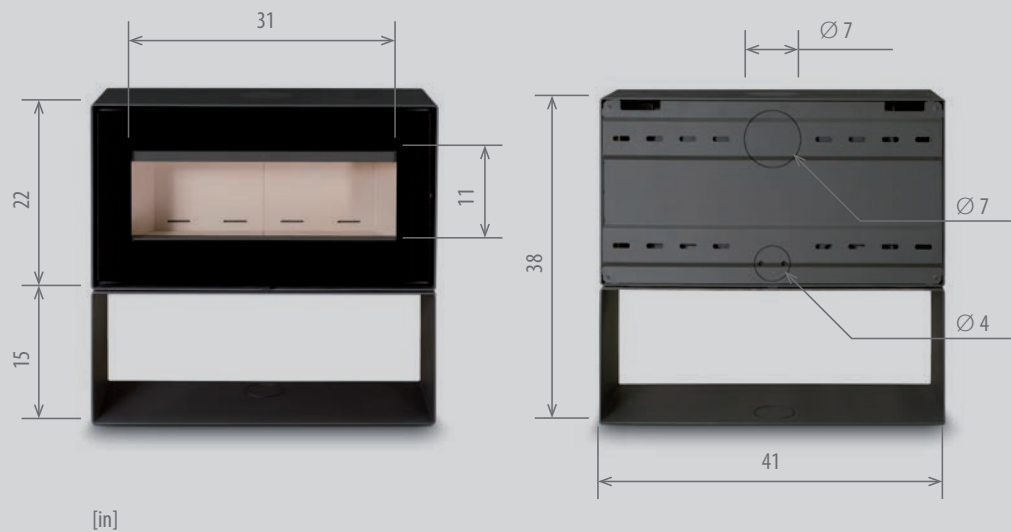


Ardere glass

Product code: IBFPTG11

The Ardere glass fireplace stove will win you over with its square design and luxurious opening. Its timelessness makes it suitable for placing in any interior. The experience of watching the wood burn will be enhanced by the unique wide glazing. The firebox can easily accommodate logs up to 31 in in length. The stove is complemented by an elegant base for storing wood or accessories.





[in]

Benefits:

- Maximum log length 31 in
- White reinforced concrete lining in the combustion chamber
- Removable door handle
- Special smokeless paint applied to the stove surface
- Possibility of connection to central air supply
- Single lever control of primary and secondary air
- Self-closing door system
- Double-locking door closure for better sealing
- 5 year warranty

Parameters:

| | |
|----------------------------------|-------------------|
| Weight | 684 Pound |
| Height | 38 in |
| Width | 41 in |
| Depth | 17 in |
| Range ¹⁾ | 13,600–30,700 BTU |
| Rated Output ²⁾ | 26,600 BTU |
| Efficiency | 71,9 % |
| Required chimney draft | -0.05 in WC |
| Flue gas outlet diameter | 6 in |
| Air inlet | 4 in |
| Max. log length | 31 in |
| Upper/rear outlet | Yes/Yes |



13,600–30,700 BTU



26,600 BTU



31 in



4.2 Pound/H



71,9 %



-0.05 in WC

¹⁾ 13,600–30,700 BTU ~ 2–5 Pound of dry wood with 20% moisture per hour of operation

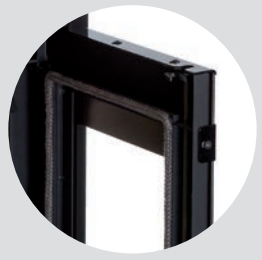
²⁾ 26,600 BTU ~ 4.2 Pound of dry wood with 20% moisture per hour of operation



Carbonis

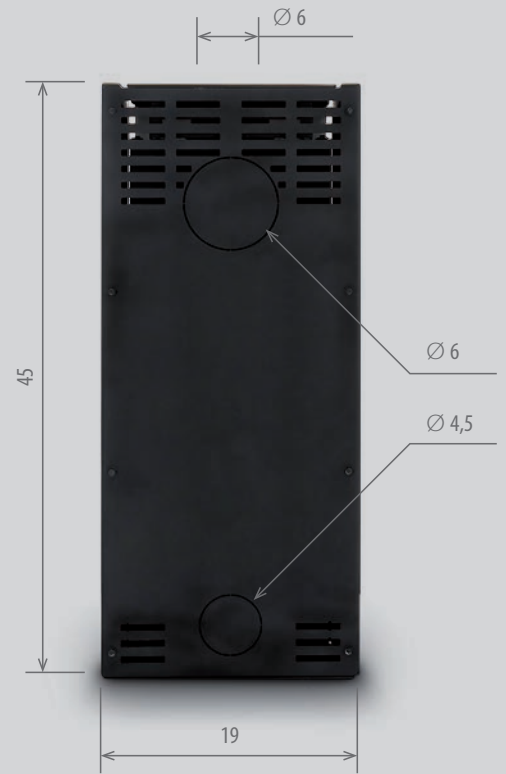
Product code: IBFPLB64

The Carbonis fireplace stove will delight lovers of eye-catching design who will appreciate the elegant rounded front of the stove and the elegant integrated door handle. This slim, minimalist stove also features a bottom door with integrated black glass. In terms of practical features, you'll be pleased with the self-closing door system with double-lock closure for better sealing.



How big a space does it heat?

This stove heats approximately 7,000 cubic feet - valid for a standard insulated bungalow (the most common type of new house) and with a thermal comfort of 70 °F and an average output of 23,800 BTU



Benefits:

- The stove can be used in low-energy houses
- White reinforced concrete lining in the combustion chamber
- Elegant integrated handle
- Special smokeless paint on the stove surface
- Possibility of connection to central air supply
- Single lever control of primary and secondary air
- Self-closing door system
- Two-lock closure for better sealing
- Hinged bottom door with integrated black glass
- 5 year warranty

Parameters:

Weight 275 Pound
 Height 45 in
 Width 19 in
 Depth 14 in
 Range ¹⁾ 17,100–23,900 BTU
 Rated Output ²⁾ 21,800 BTU
 Efficiency 80,1 %
 Required chimney draft -0.05 in WC
 Flue gas outlet diameter 6 in
 Air inlet 4 in
 Max. log length 13 in
 Upper/rear outlet Yes/Yes



17,100–23,900 BTU



21,800 BTU



13 in



3.4 Pound/H



80,1 %



-0.05 in WC

¹⁾ 17,100–23,900 BTU ~ 2.6–3.8 Pound of dry wood with 20% moisture per hour of operation

²⁾ 21,800 BTU ~ 3.4 Pound of dry wood with 20% moisture per hour of operation



Clara rotary

Product code: IBFPMR76

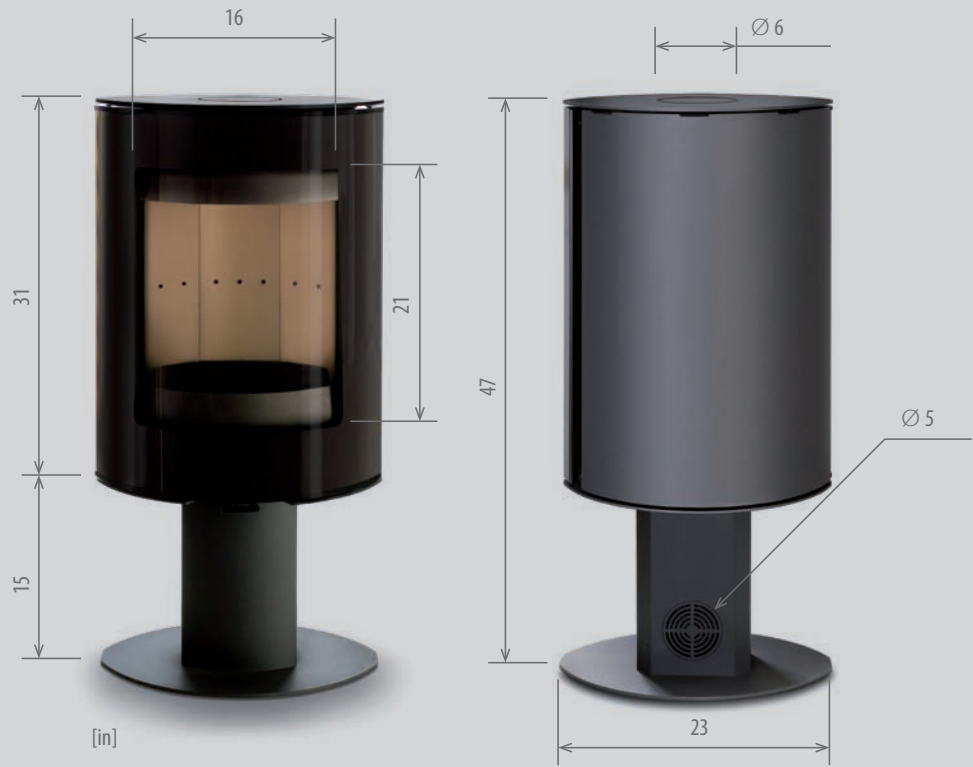
The Clara rotary stove has an elliptical shape and can be rotated 360°. You will be impressed by its design, for example the hidden integrated handle and the self-closing door system. It can even handle 19 in long logs.

The stove is equipped with a unique **Airbox** control system. Both primary and secondary air can be controlled with a single lever.



How big a space does it heat?

This stove heats approximately 7,000 cubic feet - valid for a standard insulated bungalow (the most common type of new house) and with a thermal comfort of 70 °F and an average output of 23,800 BTU.



Benefits:

- The stove can be used in low-energy houses
- 360° rotation possible
- Maximum log length 19 in
- White reinforced concrete lining in the combustion chamber
- Elegant integrated handle, hidden behind the door
- Special smokeless paint applied to the stove surface
- Possibility of connection to central air supply
- Single lever control of primary and secondary air
- Self-closing door system
- All-lithium grate
- Two-lock closure for better sealing

Parameters:

| | |
|----------------------------------|-------------------|
| Weight | 352 Pound |
| Height | 47 in |
| Width | 23 in |
| Depth | 16 in |
| Range ¹⁾ | 17,000–27,300 BTU |
| Rated Output ²⁾ | 25,900 BTU |
| Efficiency | 75,1 % |
| Required chimney draft | -0.05 in WC |
| Flue outlet diameter | 6 in |
| Air inlet | 4 in |
| Max. log length | 19 in |
| Upper/rear outlet | Yes/No |



17,000–27,300 BTU



25,900 BTU



19 in



4 Pound/H



75,1 %



-0.05 in WC

¹⁾ 17,000–27,300 BTU ~ 2.6–4.4 Pound of dry wood with 20% moisture per hour of operation

²⁾ 25,900 BTU ~ 4 Pound of dry wood with 20% moisture per hour of operation

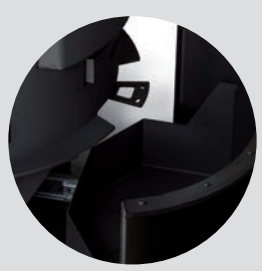


Clara steady

Product code: IBFPMS76

Reliable stove for low-energy house. Fireplace stove Clara steady boasts an original elliptical shape, hidden integrated handle, self-closing door system. The elegant glass pull-out wood stove is a practical and design accessory. Logs up to 19 in wide can be added to the stove.

The stove is equipped with a unique **Airbox** control system. Both primary and secondary air can be controlled with a single lever.



How big a space does it heat?

This stove heats approximately 7,000 cubic feet - valid for a standard insulated bungalow (the most common type of new house) and with a thermal comfort of 70 °F and an average output of 23,000 BTU.



Benefits:

- The stove can be used in low-energy houses
- Elegant glass slide-out wood stove for storing accessories
- Maximum log length 19 in
- White reinforced concrete lining in the combustion chamber
- Elegant integrated handle, hidden behind the door
- Special smokeless paint applied to the stove surface
- Possibility of connection to central air supply
- Single lever control of primary and secondary air
- Self-closing door system
- All-lithium grate
- Two-lock closure for better sealing

Parameters:

| | |
|----------------------------------|-------------------|
| Weight | 352 Pound |
| Height | 47 in |
| Width | 23 in |
| Depth | 16 in |
| Range ¹⁾ | 17,000–27,300 BTU |
| Rated Output ²⁾ | 25,900 BTU |
| Efficiency | 75,1 % |
| Required chimney draft | -0.05 in WC |
| Flue outlet diameter | 6 in |
| Air inlet | 4 in |
| Max. log length | 19 in |



17,000–27,300 BTU



25,900 BTU



19 in



4 Pound/H



75,1 %



-0.05 in WC

¹⁾ 17,000–27,300 BTU ~ 2.6–4.4 Pound of dry wood with 20% moisture per hour of operation

²⁾ 25,900 BTU ~ 4 Pound of dry wood with 20% moisture per hour of operation



Focco rotary

Product code: IBFPFR56

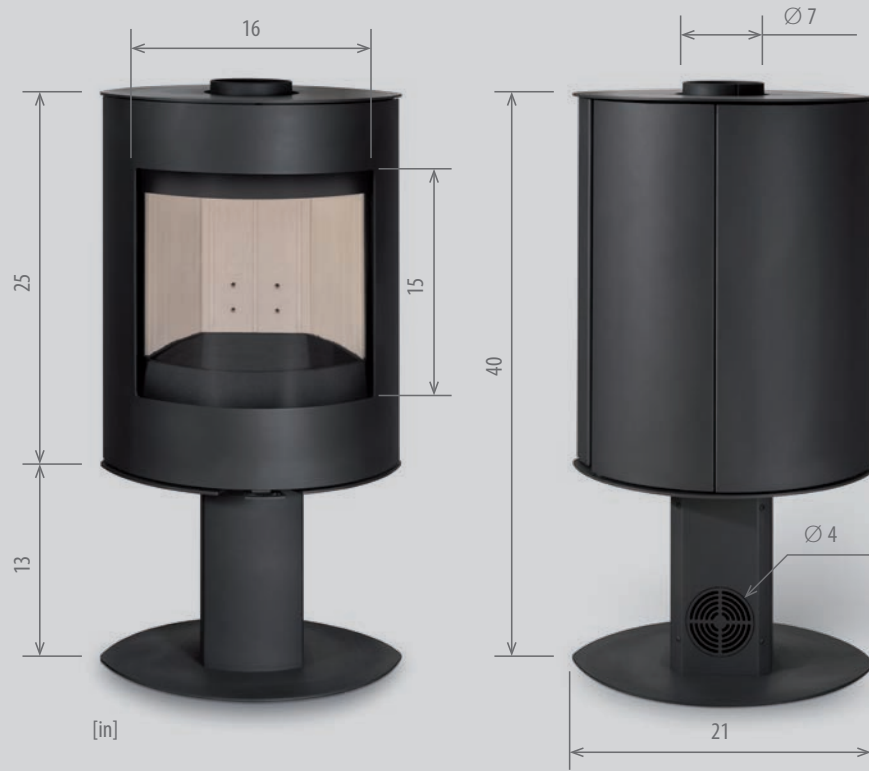
Fireplace stove with elliptical shape and standing on a leg. Focco rotary is unique in its ability to rotate the firebox up to 120°. Suitable placement in the interior will give you an unobstructed view of the blazing fire, from different angles of the room.

The surface of the stove is coated with a special smokeless paint resistant to the high temperatures generated during combustion. The stove does not smell when burning.

Another necessity when handling the stove is the self-closing door system. Stove doors that do not close after the fire has been added are a thing of the past. The double-locking system guarantees better sealing and a more perfect combustion process during burning.

A single lever ensures easy handling when controlling the primary and secondary air supply. By moving to the left the air is damped, by moving to the right the air is fed into the combustion chamber. The single lever control is purely practical, integrated into the stove body and does not protrude into the space.





Benefits:

- The stove can be used in low-energy houses
- Can be rotated 120°
- Maximum log length 13 in
- White reinforced concrete lining in the combustion chamber
- Elegant integrated handle, hidden behind the door
- Special smokeless paint applied to the stove surface
- Possibility of connection to central air supply
- Single lever control of primary and secondary air
- Self-closing door system
- All-lithium grate
- Two-lock closure for better sealing

Parameters:

| | |
|----------------------------------|-------------------|
| Weight | 260 Pound |
| Height | 40 in |
| Width | 21 in |
| Depth | 16 in |
| Range ¹⁾ | 13,600–22,200 BTU |
| Rated Output ²⁾ | 19,100 BTU |
| Efficiency | 80,7 % |
| Required chimney draft | -0.05 in WC |
| Flue gas outlet diameter | 6 in |
| Air inlet | 4 in |
| Max. log length | 13 in |
| Upper/rear outlet | Yes/No |



13,600–22,200 BTU



19,100 BTU



13 in



3 Pound/H



80,7 %



-0.05 in WC

¹⁾ 13,600–22,200 BTU ~ 2–3.6 Pound of dry wood with 20% moisture per hour of operation

²⁾ 19,100 BTU ~ 3 Pound of dry wood with 20% moisture per hour of operation



Angulus

Product code: IBFPAN99

The Angulus fireplace stove will delight you with its large combustion chamber and high performance. The firebox can hold logs up to 19 in long. The stove has both rear and top smoke outlets. They also include a drawer with runners for wood or accessories. The stove's features include a self-closing door function with double-locking for better sealing.

The stove is equipped with a unique Airbox control system. Both primary and secondary air can be controlled with a single lever.





Benefits:

- The stove can be used in low-energy houses
- White reinforced concrete lining in the combustion chamber
- Special non-smoking paint used on the stove surface
- Possibility of connection to central air supply
- Single lever control of primary and secondary air
- All-lithium grate
- Self-closing door system
- Double-locking door closure for better sealing
- Drawer with runners for wood or accessories
- The stove has both rear and top smoke outlets
- Recommended fuel - dry wood, compressed wood briquettes

Parameters:

| | |
|----------------------------------|-------------------|
| Weight | 375 Pound |
| Height | 48 in |
| Width | 22 in |
| Depth | 19 in |
| Range ¹⁾ | 20,400–37,500 BTU |
| Rated Output ²⁾ | 33,800 BTU |
| Efficiency | 80 % |
| Required chimney draft | -0.05 in WC |
| Flue gas outlet diameter | 6 in |
| Air inlet | 4 in |
| Max. log length | 19 in |
| Upper/rear outlet | Yes/Yes |

| | |
|-------------------|-------------|
| | |
| 20,400–37,500 BTU | 33,800 BTU |
| | |
| 19 in | 5 Pound/H |
| | |
| 80 % | -0.05 in WC |

¹⁾ 20,400–37,500 BTU ~ 3.1–6 Pound of dry wood with 20% moisture per hour of operation

²⁾ 33,800 BTU ~ 5.3 Pound of dry wood with 20% moisture per hour of operation



almeva AG
 Industriestrasse 6
 CH-9220 Bischofszell
 Switzerland
 Tel.: +41 71 644 90 20
 E-mail: info@almeva.ch



almeva SAS
 Parc d'Activité Les Pierailleuses
 F-79360 Granzay-Gript
 France
 Tel.: +33 613 022 075
 E-mail: fr@almeva.eu



ALMEVA EAST EUROPE a.s.
 Družstevní 501
 CZ-664 43 Želešice u Brna
 Czech Republic
 Tel.: +420 513 033 101
 E-mail: cz@almeva.eu



ALMEVA POLAND Sp. z o.o.
 ul. Cieszyńska 2
 PL-43-200 Pszczyna
 Poland
 Tel.: +48 32 475 71 04
 E-mail: pl@almeva.eu



almeva Deutschland GmbH
 Gewerbegebiet 7
 D-09306 Königshain-Wiederau
 Germany
 Tel.: +49 37 20 28 59 24 0
 E-mail: verkauf@almeva.com



SEG ALMEVA Ibérica SL
 Parque Empresarial de Utebo
 Avda. Miguel Servet 113, Nave 14
 E-50180 Utebo – Zaragoza
 Spain
 Tel.: +34 647 911 328
 E-mail: es@almeva.eu



ALMEVA SLOVAKIA s.r.o.
 Bratislavská 119
 SK-911 05 Trenčín
 Slovakia
 Tel.: +421 32 202 8946
 E-mail: sk@almeva.eu



ALMEVA HUNGARY Kft.
 Szentmihályi út 167-169
 (office F2.14.D03)
 H-1152 Budapest
 Hungary
 Tel.: +36 13 009 012
 E-mail: hu@almeva.eu



almeva Metalltechnik GmbH
 Fürstenwalder Str. 57
 D-15859 Storkow (Mark)
 Germany
 Tel.: +49 33 67 84 33 40
 e-mail: verkauf@almeva.com



almeva Italia s.r.l.
 Viale del lavoro 5
 I-37069 Villafranca di Verona
 Italy
 Tel.: +390 456 391 399
 E-mail: info@almevaitalia.it



almeva in the Baltic countries
 by ALMEVA EAST EUROPE a.s.
 Lithuania Tel.: +370 700 660 41
 Latvia Tel.: +371 67 660 689
 Estonia Tel.: +372 63 463 93
 E-mail: baltic@almeva.eu



almeva Hellas OE
 Zakynthou 12
 GR-14452 Metamorfosi, Athens
 Greece
 Tel.: +30 210 2322970
 E-mail: info@almeva.gr



**almeva in Romania
 and Republic of Moldova**
 by ALMEVA EAST EUROPE a.s.
 Romania Tel.: +40 31 229 60 88
 Moldova Tel.: +373 692 355 25
 E-mail: info@almeva.ro
 info@almeva.md



almeva US LLC/Solaron LLC
 1074 Hope Street,
 CT 06907 Stamford,
 cell: +1 203-524-7018
 email: solaron@gmail.com

